

STEP[®]



TFT LCDs

Shanghai STEP Electric Corporation

Six Styles of 3.5 Inch Screen and 4.3 Inch Screen



Fluttering Feathers



Black Piano



Blue Planet



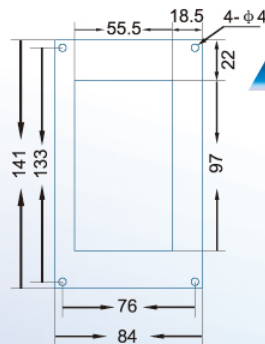
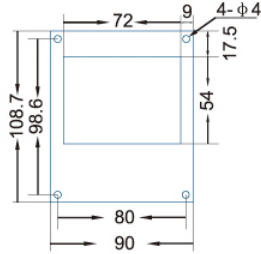
Coffee&Cheese



Shiny Crystal



Secret Garden



▲ 3.5" TFT LCD Indicator

Model number: SM.04TL/A

Panel size: 72mm×54mm

Physical resolution: 320×240

Display direction: Horizontal

Communication mode: CANBUS

Input voltage: 24VDC

Update mode of wafer: Connect to the PC via the USB port

▲ 4.3" TFT LCD Indicator

Model number: SM.04TL/C

Panel size: 97mm×55.5mm

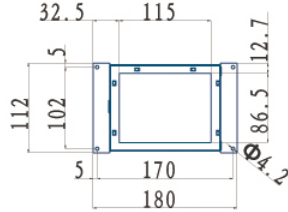
Physical resolution: 480×272

Display direction: Horizontal or Vertical (Selected by toggle switch)

Communication mode: CANBUS

Input voltage: 24VDC

Update mode of picture: Connect to the PC via the USB port



▲ 5.6" TFT LCD Indicator

Model number: SM.04TL/I

Panel size: 114.9mm×86.5mm

Physical resolution: 640×480

Display direction: Horizontal or Vertical (Selected by toggle switch)

Communication mode: CANBUS

Input voltage: 24VDC

Update mode of picture: via the USB port



▲ 8" TFT LCD Indicator

Model number: SM.04TL/G

Panel size: 161mm×121mm

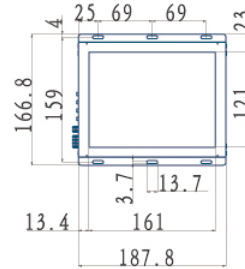
Physical resolution: 800×600

Display direction: Horizontal

Communication mode: CANBUS

Input voltage: 24VDC

Update mode of picture: via the USB port



▲ 7" TFT LCD Indicator

Model number: SM.04TL/F

Panel size: 154mm×86mm

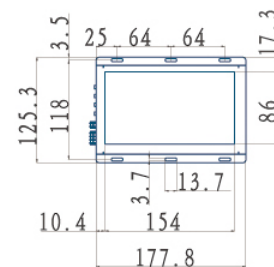
Physical resolution: 800×480

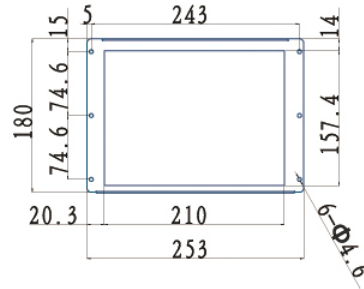
Display direction: Horizontal or Vertical (Selected by toggle switch)

Communication mode: CANBUS

Input voltage: 24VDC

Update mode of picture: via the USB port





10.4" TFT LCD Indicator

Model number: SM.04TL/H

Panel size: 210mm×157mm

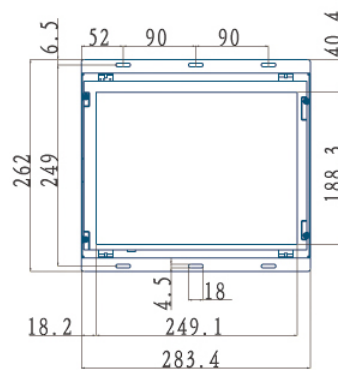
Physical resolution: 800×600

Display direction: Horizontal

Communication mode: CANBUS

Input voltage: 24VDC

Update mode of picture: via the USB port



12.1" TFT LCD Indicator

Model number: SM.04TL/L

Panel size: 249.1mm×188.3mm

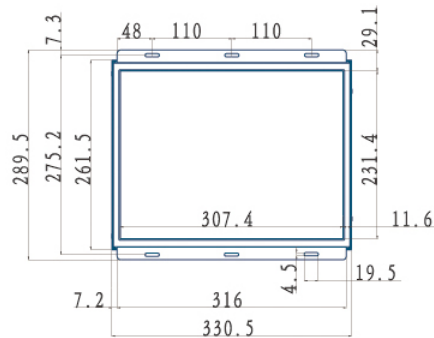
Physical resolution: 800×600

Display direction: Horizontal

Communication mode: CANBUS

Input voltage: 24VDC

Update mode of picture: via the USB port



◀ 15" TFT LCD Indicator

Model number: SM.04TL/N

Panel size: 307.4mm×231.4mm

Physical resolution: 1024×768

Display direction: Horizontal

Communication mode: CANBUS

Input voltage: 24VDC

Update mode of picture: via the USB port



▲ 19" TFT LCD Indicator

Model number: SM.04TL/O

Panel size: 479.8mm×100.1mm

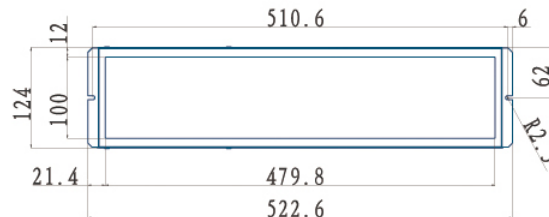
Physical resolution: 1920×388

Display direction: Horizontal

Communication mode: CANBUS

Input voltage: 24VDC

Update mode of picture: via the USB port



Shanghai Yixin International Trade Co., Ltd.

Room 3503-3504, CITIC Plaza, No.859, North Sichuan Road, Shanghai, China Tel: 0086-21-63931220 Fax: 0086-21-63931223

Shanghai STEP Electric Corporation

No. 289 Xinqin Road, Jiading District, Shanghai Tel: +86-21-69926025 Fax: +86-21-69926041 www.stepelectric.com

STEP Sigriner Elektronik GmbH

Martin-Moser-str.15, 84503 Altoetting, Germany Tel: 0049-8671-3096 Fax: 0049-8671-72476 www.step-sigriner.com

HONG KONG International STEP Holdings Co., Ltd.

Unit AD, 9/F., Nathan Commercial Building, 430-436 Nathan Road, Kowloon, Hong Kong TEL: 00852-27592938, 23327719, 27819038 FAX: 00852-27590662